

Double DishDrawer™ Dishwasher, Sanitise

Series 9 | Contemporary

Black Stainless Steel

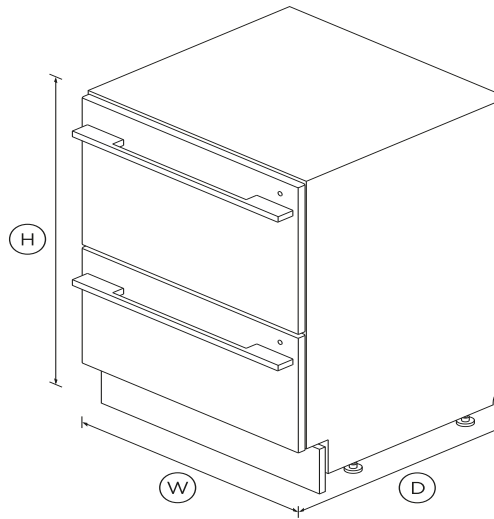


Wash one drawer while you load the other, with minimal bending and room in each drawer for full-size dinner plates.

- Six wash programs, as well as additional Quick wash, Sanitise and Extra Dry options
- Flexible racking allows you to customise internal shelves to suit your needs

DIMENSIONS

Height	880mm
Width	599mm
Depth	573mm



FEATURES & BENEFITS

Quick, Sanitise and Extra Dry options

The Quick wash modifier delivers a faster wash while maintaining performance. The Sanitise option provides extra protection, killing 99.9% of bacteria in the final rinse. The Extra Dry setting is perfect for plastic dishes.

Ease of use

DishDrawer™ Dishwashers are as easy to open and close as kitchen drawers, and can be conveniently positioned at bench height for ease of loading and minimal bending. Flexible racking

allows you to make adjustments to fit in a variety of dishes.

Beauty of choice

As much a design component as a high performance appliance, the black DishDrawer™ Dishwasher brings a touch of sophistication to your kitchen, on its own or part of a matching kitchen appliance set.

Independent washing

With the ability to use both drawers independently and select different wash programs, the DishDrawer™ Dishwasher can wash everything from fine glass and crystal to heavily soiled pots and pans.

True Half Load

Each drawer holds a true half load for small, fast dish washing that won't waste water. Both drawers operate independently so two wash cycles can operate simultaneously to allow for varying loads.

Quiet performer

Running at a very low decibel rating, these DishDrawer™ Dishwashers do their job without making a fuss. The combination of intelligent technology and simple mechanics means greater reliability and excellent wash performance.

SPECIFICATIONS

Accessories

Cutlery basket	•
Kickstrip	included
Knife clip and multipurpose	•

Capacity and loading

Accommodates round plates	280mm
Adjustable height, foldable	•
Fold down tines	•

Pitch adjustable tines	•
Place settings	14

Consumption

Energy rating	3.5 stars
Energy usage	136kWh/year
Water rating (WELS)	4.5 star (WELS)

Controls

Child lock	•
Electronic fault/Diagnostic	•
End of cycle beeps	•
Energy saving delay start	•
Internal wash selector	•
Rinse aid indicator light	•

Features

Fan assisted drying	•
Flow through detergent	•
Quiet operation	•
SmartDrive™ technology	•

Performance

Noise on standard cycle top	43dBA
-----------------------------	-------

Power requirements

Amperage	8.5A
----------	------

Product dimensions

Depth	573mm
-------	-------

Height	880mm
Width	599mm

Warranty

Parts and labour	2 years
------------------	---------

Wash Programs


Delicate	•
Eco	•
Extra Dry	•
Fast	•
Heavy	•
Medium	•
Number of wash programs	6
Quick	•
Rinse	•
Sanitize	•
Wash modifiers	3

SKU	81833
-----	-------

TEST The product dimensions and specifications in this page apply to the specific product and model. Under our policy of continuous improvement, these dimensions and specifications may change at any time. You should therefore check with Fisher & Paykel's Customer Care Centre to ensure this page correctly describes the model currently available. ? Fisher & Paykel Appliances Ltd 2020

Other product downloads available at fisherpaykel.com

- [↓](#) Quick Start Guide
- [↓](#) User Guide
- [↓](#) Service & Warranty Booklet
- [↓](#) Installation Guide

A PEACE OF MIND SALE
 **24 Hours 7 Days a Week Customer Support**
T 1300 650 590 W www.fisherpaykel.com