

# Oven, 60cm, 11 Function, Self-cleaning

Series 9 | Contemporary

Stainless Steel

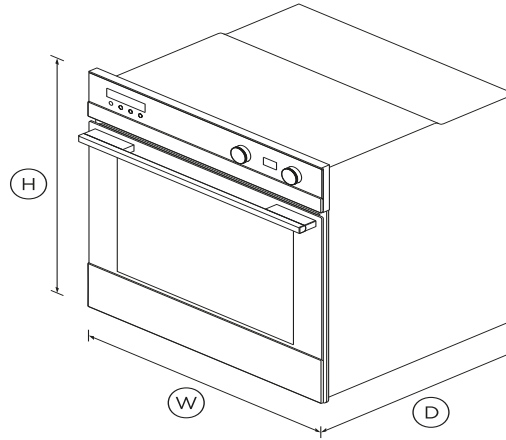


A highlight of the Fisher & Paykel collection, this Series 9 oven ensures that every dish you create is cooked to perfection.

- 85L total capacity with 11 oven functions including Roast and Pastry Bake
- Moisture level control with ActiveVent™ technology
- Pyrolytic self-cleaning function breaks down food residue for an easy clean
- Non-tip, full-extension shelves for safe removal of hot dishes

## DIMENSIONS

Height	598mm
Width	596mm
Depth	565mm



## FEATURES & BENEFITS

### Multi-function Flexibility

11 functions including Roast, Pastry Bake and Fan Grill mean no matter what you're cooking, you've got the right heat to match.

### Generous capacity

With a generous sized internal cavity, you can create several dishes at once using multiple shelves.

### ActiveVent Technology

With ActiveVent technology for optimised moisture levels and AeroTech™ for even heat distribution, you'll get perfect results even when using multiple shelves.

### Cleaning is simple

Pyrolytic self-clean breaks down food residue at a very high temperature, leaving a light ash that's easily removed with a damp cloth.

### Seamless Fit

Designed to fit seamlessly in your kitchen, this built-in oven fits flush with cabinetry to minimise gaps and add to a cohesive aesthetic.

### Safe and sound

The CoolTouch door features triple glazing and a cooling system that ensures it's safe to touch from the outside – protecting both your hands and the surrounding cabinetry.

## SPECIFICATIONS

### Accessories

Contemporary round handle	81645 (optional)
Food probe	1
Full extension sliding shelves	2 sets
Full extension telescopic	•
Full extension telescopic	2 sets
Grill rack	1 set
Optional round handle	Part 81645
Roasting dish	1

### Capacity

Shelf positions	6
Total gross	85L

### Cleaning

Acid resistant graphite enamel	•
Pyrolytic self-clean	•

Removable oven door	•	Warm	•
Removable oven door inner	•		
Removable shelf runners	•		
<hr/>			
<b>Controls</b>		<b>Performance</b>	
Audio feedback	•	ActiveVent™ system	•
Automatic cooking/minute	•	AeroTech™ technology	•
Automatic pre-set	•	Automatic rapid pre-heat	•
Celsius/Fahrenheit	•	Grill power	<b>3000W</b>
Electronic clock	•	Whisper quiet cooking	•
Electronic oven control	•		
Precise electronic temperature	•	<b>Power requirements</b>	
Sabbath mode	•	Supply frequency	<b>50Hz</b>
Soft open and close door	•	Supply voltage	<b>220 - 240V</b>
Turned stainless capacitive	•		
Turned stainless dials with	•	<b>Product dimensions</b>	
		Depth	<b>565mm</b>
		Height	<b>598mm</b>
		Width	<b>596mm</b>
<hr/>			
<b>Functions</b>		<b>Safety</b>	
Bake	•	Advanced cooling system	•
Classic bake	•	Balanced oven door	•
Fan bake	•	Catalytic venting system	•
Fan forced	•	Control panel key lock	•
Fan grill	•	CoolTouch door	•
Grill	•	Full extension sliding shelves	•
Number of functions	<b>11</b>	Non-tip shelves	•
Pastry Bake	•		
Pyrolytic self-clean	•		
Roast	•		
Vent bake	•	SKU	<b>82277</b>
Warm	•		

TEST The product dimensions and specifications in this page apply to the specific product and model. Under our policy of continuous improvement, these dimensions and specifications may change at any time. You should therefore check with Fisher & Paykel's Customer Care Centre to ensure this page correctly describes the model currently available. ? Fisher & Paykel Appliances Ltd 2020

---

Other product downloads available at [fisherpaykel.com](http://fisherpaykel.com)



User Guide



User Guide



Service & Warranty Booklet



Installation Guide



Data Sheet Oven



**A PEACE OF MIND SALE**

24 Hours 7 Days a Week Customer Support

T 1300 650 590 **W**[www.fisherpaykel.com](http://www.fisherpaykel.com)